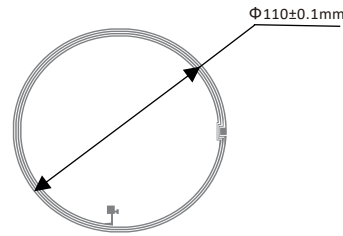


EUROTAG HF Label SLIX Φ 116mm Transparent

IC Specifications

IC Protocol: ISO/IEC 15693
 ISO Typical Frequency: 13.56 MHz
 Chip: NXP I Code SLIX
 User Memory: 896bit



Environmental

Operating temperature: -40°C/+85°C
 Storage temperature: -55°C/+125°C

Antenna Design

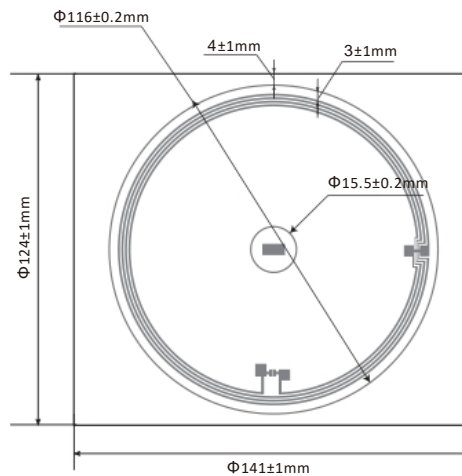
Top: Aluminum/30 μ m
 Substrate: PET/38 μ m
 Bottom: Aluminum/10 μ m

Layout and Dimensions (mm)

0.10
 0.078
 0.085
 0.087

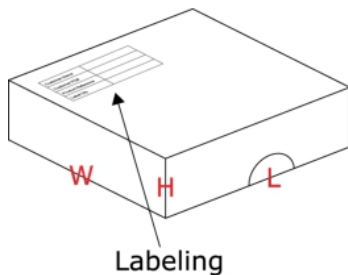


Transparent PET with adhesive
 Inlay
 Double Sided Adhesive
 Silicone Paper



Packaging

500 pcs./inner case
 Length: 264 mm
 Width: 150 mm
 Height: 127 mm



6 inner /master ctn
 Length: 475 mm
 Width: 270 mm
 Height: 280 mm

