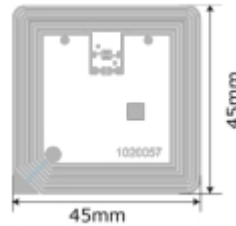


EUROTAG HF Label SLIX 81x49 White

IC Specifications

IC Protocol: ISO/IEC 15693
 ISO Typical Frequency: 13.56 MHz
 Chip: NXP I Code SLIX
 User Memory: 896bit



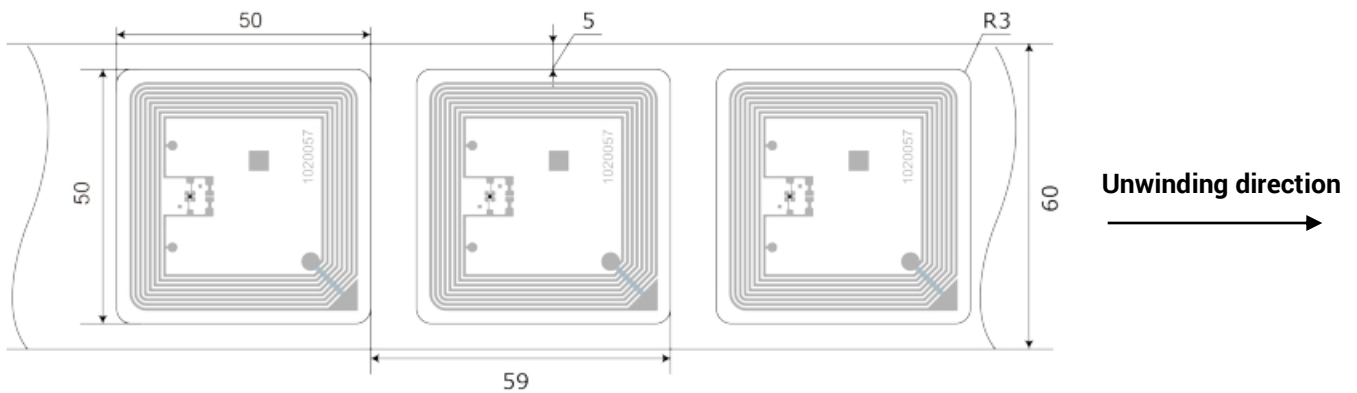
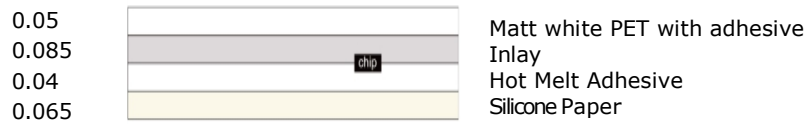
Environmental

Operating temperature: -40°C/+85°C
 Storage temperature: -55°C/+125°C

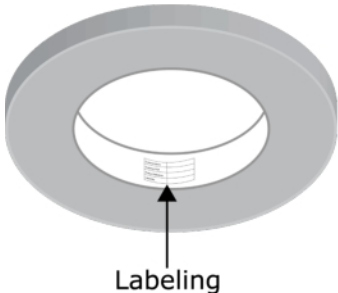
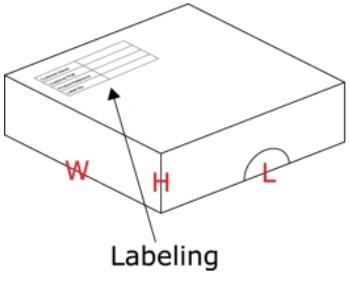
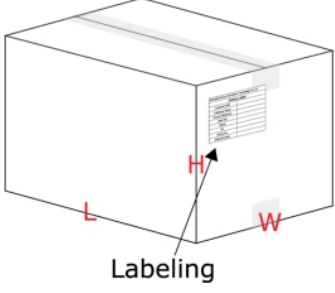
Antenna Design

Top: Aluminum/30 µm
 Substrate: PET/38 µm
 Bottom: Aluminum/10 µm

Layout and Dimensions (mm)



Packaging

<p>Core internal Diameter: 76.2 ± 1mm Core Thickness: 6 ± 1mm Quantity / Roll: 1000 pcs. Roll External Diameter: ≤ 155 mm</p> 	<p>1 roll/inner case Length: 160 mm Width: 160 mm Height: 70 mm</p> 	<p>10 inner /master ctn Length: 360 mm Width: 170 mm Height: 390 mm</p> 
--	---	--