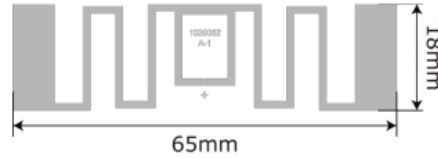


EUROTAG UHF Label M6R 69x22 White

IC Specifications

IC Protocol: ISO 18000-6C
 ISO Typical Frequency: 860-960 MHz
 Chip: Impinj Monza R6-P
 EPC Memory: 128bit
 User Memory: 64bit max



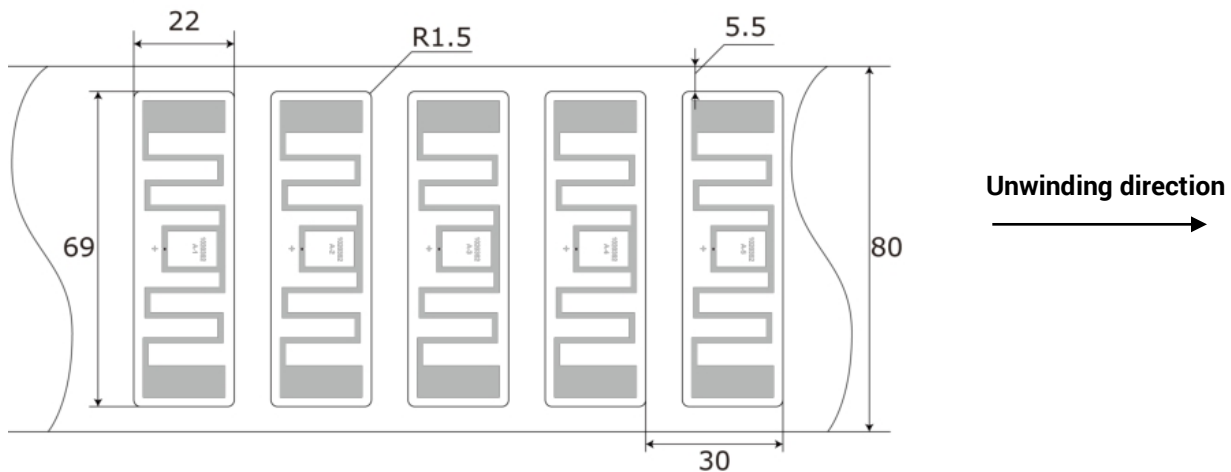
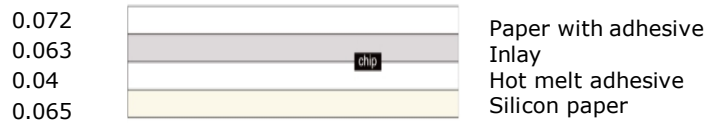
Environmental

Operating temperature: -40°C/+85°C
 Storage temperature: -40°C/+85°C

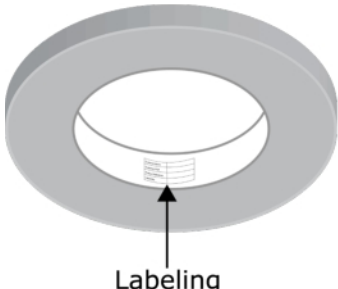
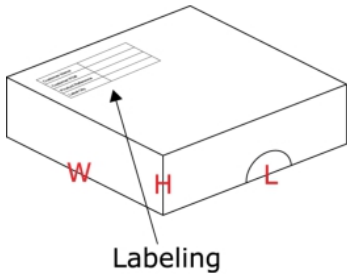
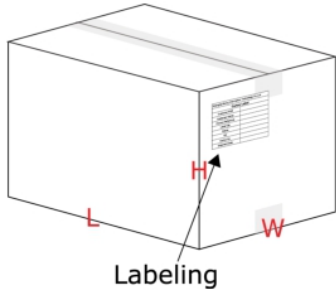
Antenna Design

Top: Aluminum/10 µm
 Substrate: PET/50 µm

Layout and Dimensions (mm)



Packaging

| | | |
|--|---|---|
| <p>Core internal Diameter: 76.2 ± 1mm Core Thickness: 6 ± 1mm Quantity / Roll: 3000 pcs. Roll External Diameter: ≤ 175 mm</p>  <p>Labeling</p> | <p>1 roll/inner case 2 gaskets Φ190*3mm Length: 196 mm Width: 196 mm Height: 90 mm</p>  <p>Labeling</p> | <p>4 inner /master ctn Length: 422 mm Width: 206 mm Height: 210 mm</p>  <p>Labeling</p> |
|--|---|---|