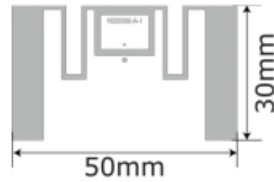


EUROTAG UHF Label M6R 70x40 White Nylon

IC Specifications

IC Protocol: ISO 18000-6C
 ISO Typical Frequency: 860-960 MHz
 Chip: Impinj Monza R6-P
 EPC Memory: 128bit
 User Memory: 64bit max



Environmental

Operating temperature: -40°C/+85°C
 Storage temperature: -40°C/+85°C

Antenna Design

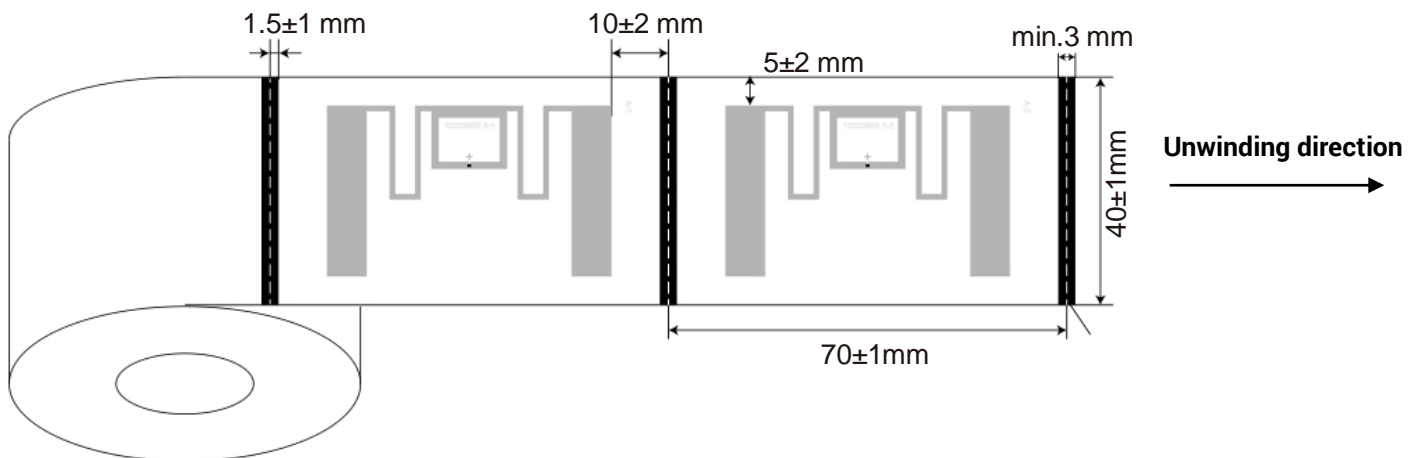
Top: Aluminum/10 µm
 Substrate: PET/50 µm

Layout and Dimensions (mm)

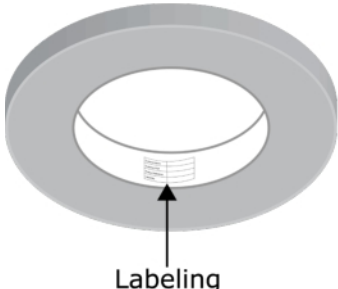
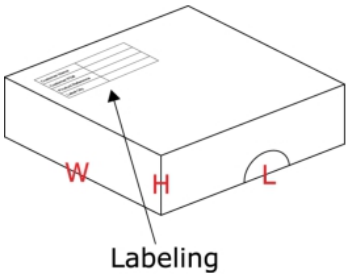
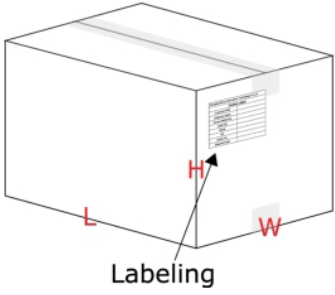
0.14
 0.063
 0.14



Nylon with Adhesive(SA637B)
 Inlay
 Printing White Nylon with Adhesive(SA637B)



Packaging

<p>Core internal Diameter: 76.2 ± 1mm Core Thickness: 6 ± 1mm Quantity / Roll: 500 pcs.</p>  <p>Labeling</p>	<p>1 roll/inner case 2 gaskets Φ195*3mm Length: 200 mm Width: 200 mm Height: 68 mm</p>  <p>Labeling</p>	<p>8 inner /master ctn Length: 430 mm Width: 220 mm Height: 305 mm</p>  <p>Labeling</p>
---	---	---